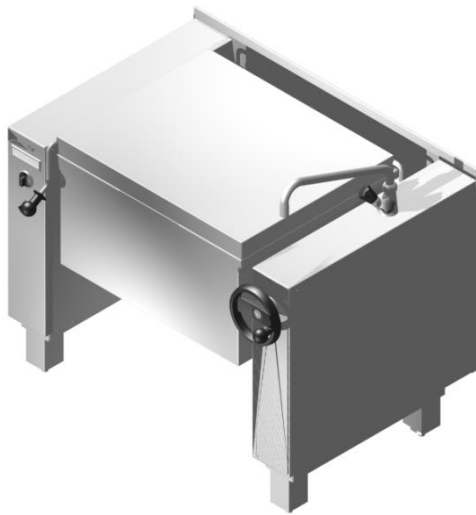


Installation and Initial Operating Instructions

ELRO EasyCook

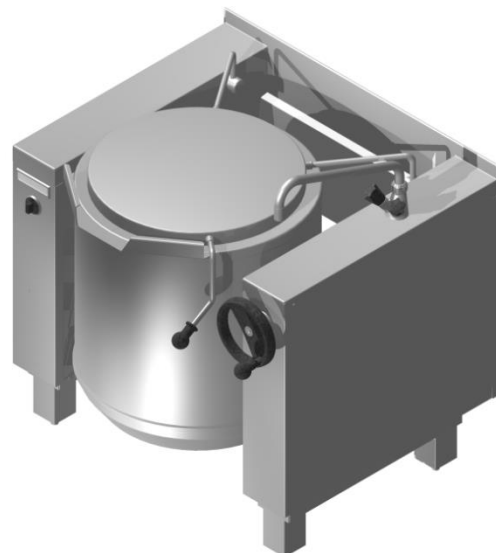


Anleitung vor
Gebrauch lesen!
Lire la notice d'utilisation
avant l'emploi!
Read instructions before use!

*Originalanleitung
Notice originale
Original instructions*






Flexi-Pan Type PKGN – Kettle Type JK

Date	30.03.2015
Replaces	27.10.2014
Author	VAE
PM	VAE
Responsible	VAE
Document no.	X101843E
Revised on	1
Pages	13









1 Safety

The appliance is equipped with a CEE plug ex-factory and can be connected to power. Connection to plumbing must be carried out by **concessioned experts** or **instructed personnel**. Please read the **Installation and Initial Operating Instructions** and the **Operating Instructions** before installation.

Symbol	Comment
 CAUTION	Caution!
 CAUTION	Caution hot surface!
 CAUTION	Caution hot surface that must be touched!
 CAUTION	Caution escaping steam!
 CAUTION	Caution danger of pinching or crushing!

1.1 Pictograms

Pictogram	Meaning
	Potential balance
	Protective conductor (Connection for) protective conductor PE; protection class I according to DIN 40011
	Fuse
	Earthing
	Attention! Check all that connection clamps are free of tension (several supply sources).
	Pull appliance plug Before service and maintenance work on the appliance

1.2 Manufacturer

E L R  O

Wohlerstrasse 47
CH-5620 Bremgarten
www.elro.ch

1.3 ELRO After Sales Service



+41 (0)56 648 94 11



services@elro.ch

Contents

Page

1	Safety	2
1.1	Pictograms	2
1.2	Manufacturer	3
1.3	ELRO After Sales Service	3
2	ELRO EasyCook	5
2.1	Documentation	5
2.2	Appliance number / Data plate	5
3	Technical Data	6
3.1	Tilting Kettle JK	6
3.2	Tilting Flexi-Pan PKGN	6
4	Transport	8
5	Installing the Appliance	8
5.1	Levelling and Fixation	8
5.2	Wall mounting / ELRO Installation wall	8
5.2.1	Self-securing wall mounting suspension / Horizontal adjuster.....	9
5.2.2	Lifting truck	9
5.2.3	Hanging the appliance	9
5.2.4	Setting the working height.....	9
5.3	Checking suspension	9
5.4	Wall panel.....	9
6	Initial Operation / Connection	10
6.1	Noise Emissions.....	10
6.2	IP Code	10
7	ELRO EasyCook Control RF30	11
7.1	Casing Disassembly / Assembly	11
7.2	Configuration DIP Switch	12
7.3	Error List.....	13
7.4	Info Display.....	13
8	Service / Maintenance / Disposal	13

2 ELRO EasyCook



Congratulations on your purchase of an ELRO EasyCook appliance. Before putting your ELRO EasyCook appliance into operation for the first time, please read and observe the relevant documentation.

2.1 Documentation

Document no.	Designation	JK	PKG N
X101842D	Operating Instructions	X	X
X101843D	Installation and Initial Operating Instructions	X	X
X101827	Declaration of Conformity	X	X
X101828	Spare Parts List	X	X
X101836D	Cleanings Instructions for ELRO Appliances	X	X
4.930000	Dimensional Drawing	JK-EID-30	
4.930010	Dimensional Drawing		PKG N-EDS-30
3.930020	Dimensional Drawing	JK-C-DD-10	
3.930021	Dimensional Drawing	JK-DD-10	
4.930030	Dimensional Drawing		PKG N-C-EDS-30
3.926917	Electrical Diagram	EID	
3.926923	Electrical Diagram		EDS

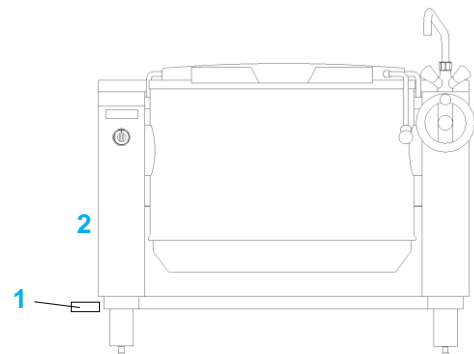
2.2 Appliance number / Data plate

JK

Round kettle, tilting
Kettle JK1-100 / JK3-200

The appliance number (1) is engraved on the left console.
The data plate (2) is located under the appliance lid.

Typ Type	JK1-100-EID-30		
Nr. No.	1 700...	Datum Date	19.07.2013
Steuering Commande Control	400V/230VAC 3LPE 50/60Hz 17.10 kW / 25.00 A		
	IPX5		
	CE		
	Kochraum Chambre de cuisson Cooking Chamber	Heizregister Système de chauffage heating system	sec. prim.
Inhalt Capacité (l) Capacity	104	17.6	0
Temp. (°C)	100	135	0
Druck Pression (kPa) Pressure	0	210	0
Medium Milieu	H ₂ O	H ₂ O	
	ELRO-Werke AG, CH-5620 Bremgarten		

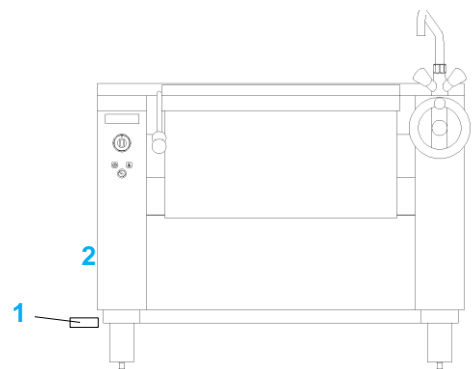


PKG N

Flexi-Pan, tilting
Pan PKG N22 / PKG N32

The appliance number (1) is engraved on the left console.
The data plate (2) is located under the appliance lid.

Typ Type	PKG N22-EDS-30		
Nr. No.	1 700170	Datum Date	19.07.2013
Steuering Commande Control	400V/230VAC 3LPE 50/60Hz 15.10 kW / 21.70 A		
	IPX5		
	CE		
	Kochraum Chambre de cuisson Cooking Chamber	Heizregister Système de chauffage heating system	sec. prim.
Inhalt Capacité (l) Capacity	86	0	0
Temp. (°C)	100	0	0
Druck Pression (kPa) Pressure	0	0	0
Medium Milieu	H ₂ O		
	ELRO-Werke AG, CH-5620 Bremgarten		



3 Technical Data

¹⁾ VDI 2052 normal operation Q_s [W] / Q_t [W]

²⁾ Definition DIN 18857

³⁾ Appropriate measures must be provided on site (by the client/contractor) for the protective conductor connection, fuse protection and an all-pole circuit breaker with a contact opening of at least 3mm (on site, e.g. main switch), and the floor channel. The indicated dimensions are suggested measurements. Protection measures against accidental contact with parts under tension according EN 60 335-1 must be checked and guaranteed after installation.

3.1 Tilting Kettle JK-EID

Letters correspond with dimensional drawing 4.930000

Kettle		JK1-100-EID-30	JK3-200-EID-30
Overall dimension	L [mm]	1020	1270
Overall dimension	C [mm]	1635	1755
Overall dimension	T [mm]	938	1063
Kettle diameter	D [mm]	500	750
Filling level	R [mm]	530	500
Weight	[kg]	210	280
Output/Electricity		17.10kW / 25.00A	27.00kW / 39.00A
E1 Direct connection	Length 2m ³⁾	400V/230VAC 3LNPE 50/60Hz	
Plug		CEE 32A 400V	CEE 63A 400V
Protection level		IPX5	
Useful/Nominal filling volume	[l] ²⁾	96/104	203/221
Heat dissipation sensitive	Q_s [W] ¹⁾	598.5	
Heat dissipation latent	Q_s [W] ¹⁾	3420	
W1 Cold water connection		G1/2" max. 500kPa (5bar)	
W2 Warm water connection		G1/2" max. 500kPa (5bar)	

3.2 Tilting Flexi-Pan PKGN-EDS

Letters correspond with dimensional drawing 4.930010

Pan		PKGN22-EDS-30	PKGN32-EDS-30
Overall dimension	L [mm]	1200	1550
Frying pan	Q [mm]	680	1030
Weight	[kg]	220	340
Output/Electricity		15.10kW / 21.70A	23.50kW / 33.90A
E1 Direct connection	Length 2m ³⁾	400V/230VAC 3LNPE 50/60Hz	
Plug		CEE 32A 400V	CEE 63A 400V
Protection level		IPx5	
Useful/Nominal filling volume	[l] ²⁾	71/86	108/131
Heat dissipation sensitive	Q_s [W] ¹⁾	6795	
Heat dissipation latent	Q_s [W] ¹⁾	6040	
W1 Cold water connection		G1/2" max. 500kPa (5bar)	
W2 Warm water connection		G1/2" max. 500kPa (5bar)	

3.3 Tilting Kettle JK-DD

Letters correspond with dimensional drawing

Output specifications 20°C-90°C according to DIN 18855

Kettle		JK1-100-EID-30	JK3-200-EID-30
Overall dimension	L [mm]	1020	1270
Overall dimension	C [mm]	1635	1755
Overall dimension	T [mm]	938	1063
Kettle diameter	D [mm]	500	750
Filling level	R [mm]	530	500
Weight	[kg]	210	280
Output	[kW / kg/h / min / min]	28.2/45.1/16.25/20.7	41.4/68.1/23.6/31.8
Dust		DN15/DN15	DN15/DN25
Protection level		IPX5	
Useful/Nominal filling volume	[l] ²⁾	96/104	203/221
Heat dissipation sensitive	Qs [W] ¹⁾	598.5	
Heat dissipation latent	Qs [W] ¹⁾	3420	
W1 Cold water connection		G1/2" max. 500kPa (5bar)	
W2 Warm water connection		G1/2" max. 500kPa (5bar)	

4 Transport

The appliance is delivered ex-factor on pallets.

5 Installing the Appliance

The appliance is to be installed at the foreseen location.

The valid, country and local regulations of the responsible supervisory body must be adhered to.



Make sure that:

The connection cable is not damaged through crushing or cuts.

In this case, the appliance may not be operated! Cables may only be replaced by ELRO After Sales Service or a company authorised by ELRO.

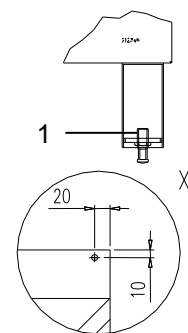
All the necessary provisions according to the valid documentation must be made available on site.

5.1 Levelling and Fixation

With the help of the **foot screws** (1) level the appliance to the working height (usually 900mm). Use a water level! The mounting foot must be countered.

Drill two Ø7mm-holes into the back sill (X) and countersink.

Mark the positions for the plugs through the holes. Pull the appliance away and drill the plugholes and insert the plugs. Attached the appliance to the wall with two countersunk head screws.



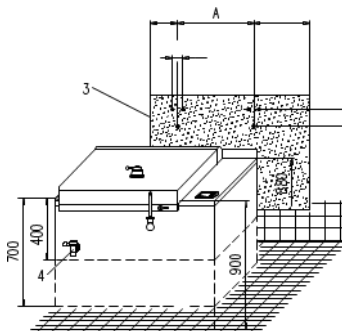
5.2 Wall mounting / ELRO Installation wall

Make sure that the mounting wall is suited for use with M10 straddling plugs!

Measure the placement of the appliance on the finished wall (plaster, tiled). Use a marking gauge (3) or draw in the appliance contours (3) and the mounting holes according to the dimensional drawing/installation plan.

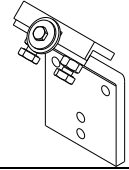
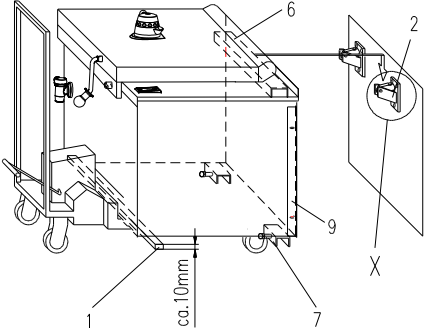
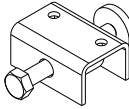
Wall mounting	Appliance type
Type 91/2300	JK1-100
	JK3-200
	PKGN22
	PKGN32

Recheck the dimensions drawn on the wall (A = reference dimension). If dimensions are correct, drill the holes. If the first or last appliance in a row, or a single appliance is being installed, also drill the holes for the wall panel.



5.2.1 Self-securing wall mounting suspension / Horizontal adjuster

Depending on the appliance to be installed, use the self-securing wall mounting suspension (2):

Wall mounting suspension (2)	Appliance	X (2)	
Type 91/2300	PKGN JK		
Horizontal adjuster (7)	All		

Mount the suspension (2) to the wall with the plugs / screws included. Make sure that the pivoting bolts for the wall suspension (2) are placed as shown in the diagram and that the adjusting screws protrude 10 mm.

The two horizontal adjusters (7) are pre-assembled. Make sure that the screws for the horizontal adjusters (7) are screwed in so that they do not protrude from the back wall.

5.2.2 Lifting truck

Mounting appliances with a height of 700 mm requires a lifting truck with at least 100mm stroke and sufficient load capacity. Appliances with a height of 400mm (C) require a lifting truck with at least 500mm stroke.

5.2.3 Hanging the appliance

Place the appliance at an angle by underlaying it by approx. 10mm. Raise the appliance. The working surface must be at least 970mm over the finished floor. Slide the appliance against the wall. Use the marking gauge (3) or the appliance contours (3). Lower the appliance. The fixing angle (6) must be **behind** the pivoting bolts of the wall suspension (2)

5.2.4 Setting the working height

The working height must be set according to the dimensional drawing / installation plan, off the finished floor (as a rule 900mm). Use a water level!

The appliance must be moved away from the wall to correct the height. Correction of height ($\pm 10\text{mm}$), as well as longitudinal tilt can be carried out by adjusting the wall suspension bolts (2). Correction in the depth tilt can be carried out by adjusting the two horizontal adjusters (7).

5.3 Checking suspension

If the appliance has been mounted according to specifications, the appliance should not move, even in the case of strong rocking. If this is not the case, the adjustment and securing procedure must be repeated as described above.

5.4 Wall panel

In order to ensure that the appliance is suited for high pressure cleaning (IPX9k), the wall panels for the first and last appliance of a cooking row must be installed with end angles and sealed with silicone.

6 Initial Operation / Connection

The appliance is delivered ex-factory equipped with a CEE plug. Connection to plumbing must be carried out by concessioned experts.

The valid, country and local regulations of the responsible supervisory body must be adhered to.

For the proper functioning of the appliance set the correct setting of the boiling point for the appliance location, according to the respective electrical diagram (JK 3.926917 / PKGN 3.926923).

6.1 Noise Emissions

This appliance is technical work equipment that does not cause noise or in special cases, does not exceed a noise level of 70 dB (A).

6.2 IP Code

ELRO EasyCook appliances have an IP code of IP-Code IPx5.

7 ELRO EasyCook Control RF30

Control RF30 is an electronic control. Depending on the appliance location (meters a.s.l), the configuration of the DIP switch may have to be changed. Contact ELRO After Sales Service or our distribution partners for configuration work.

Information on configuration of the DIP switch, error lists, and display information can be found on the respective electrical diagram (JK 3.926917 / PKN 3.926923).

7.1 Casing Disassembly / Assembly

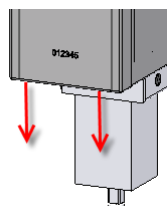
Unplug the appliance!

Before removing the casing from the ELRO EasyCook appliance make sure that it is not connected to power.

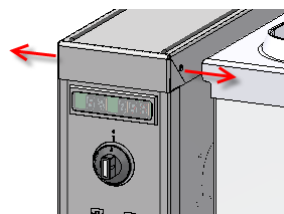


Remove the console front plate screws (red arrows). Pull down the front plate and you will have access to the supply with the DIP switch.

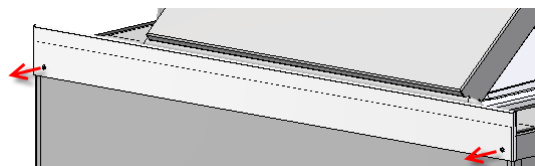
Removal of the front plate is sufficient to reconfigure the DIP switch.



If you need access to other appliance parts, remove the console cover screws.

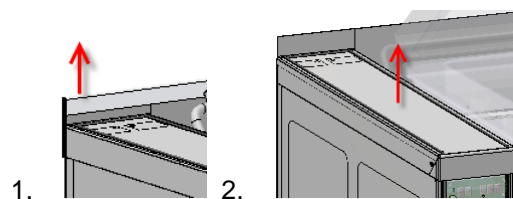


Remove the top screws at the back of the appliance first.

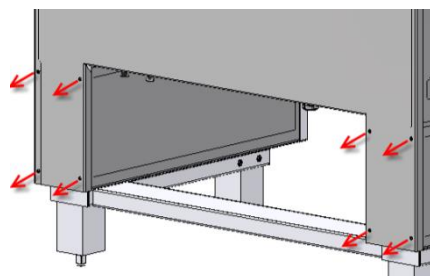


1. Remove the upper panel

2. Remove the console cover



If you must also remove the side panel, remove the remaining 8 screws in the back panel and remove it.

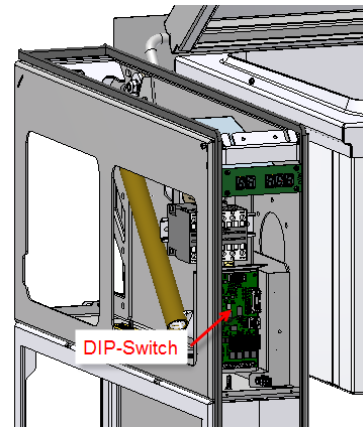
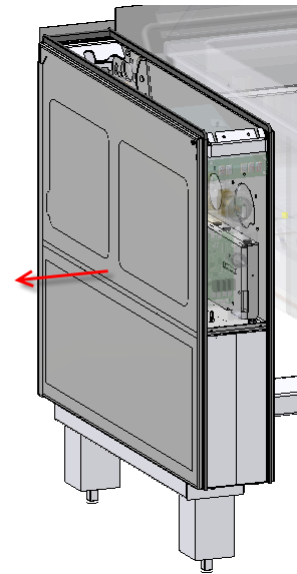


Now remove the side panel.

Reassemble the casing in reverse order.

7.2 Configuration DIP Switch

If you need to configure the RF30 control, do so according to the respective electrical diagram (JK 3.926917 / PKGN 3.926923).



7.3 Error List

An error code is shown on the LED display when a malfunction occurs. This supports faster troubleshooting and solving of the problem.

7.4 Info Display

If you select the temperature sequence 70 – 50 – 70 – 30 – 50 with no interruption, you access the menu for control RF30.

8 Service / Maintenance / Disposal

ELRO EasyCook appliance is largely maintenance-free. It is recommended to have the appliance inspected by ELRO After Sales Service or our distribution partners every 4 years.

Contact ELRO After Sales Service or our distribution partners for maintenance or disposal.